

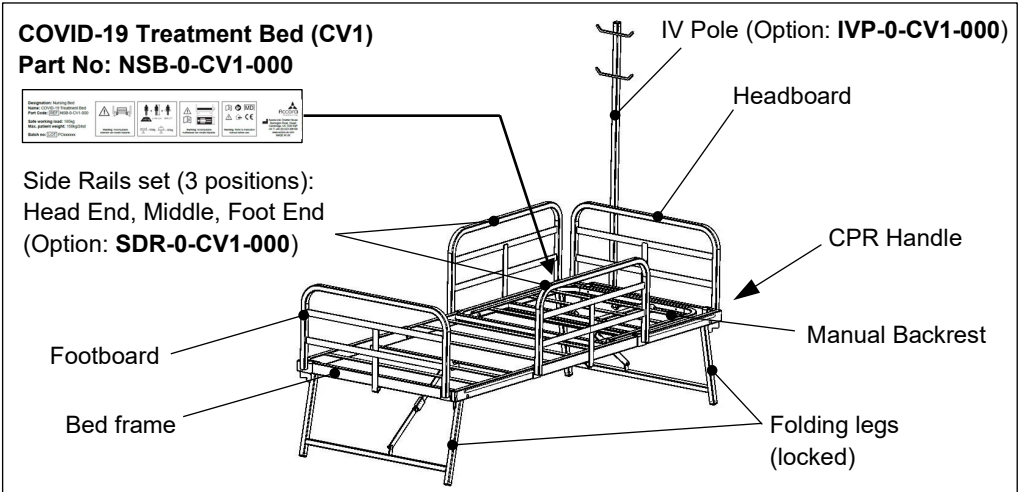
# COVID-19 Treatment Bed

Accora

## INSTRUCTION MANUAL (CV1)

### Welcome

The Covid-19 treatment bed (CV1) is a nursing bed classified as a Class 1 Medical Device in accordance with the Medical Device Regulation 2017/745.



### Intended Use

The Covid-19 bed is intended for an adult population and can be used in all fixed and temporary hospital and nursing environments.

### WARNINGS

- **Always keep this manual available for future reference.**
- **Only use compatible mattresses with this bed. Refer to specification for dimensions.**
- **A patient risk assessment must be carried out before both the bed frame and / or the side rails are used.**
- **Always fully decontaminate the bed in between users.**
- **Always lock the folding arm of the legs in place by using the locking ring to slide over the hinge at each end of the bed.**
- **Care should be used when using the CPR Handle, there is a risk of entrapment when the backrest falls to flat position.**

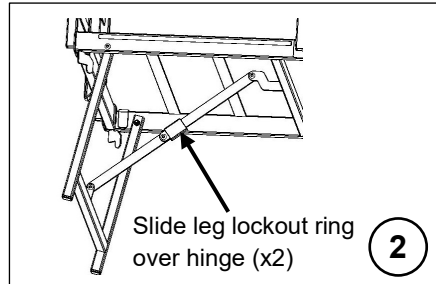
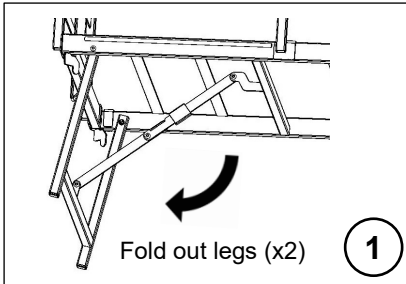
### Notice to user

If a serious incident occurs in relation to this medical device, affecting the user or the patient, then the user or patient should report the serious incident to the medical device manufacturer (or distributor) and, in the European Union, the user should also report the serious incident to the Competent Authority in the member state where they are located.

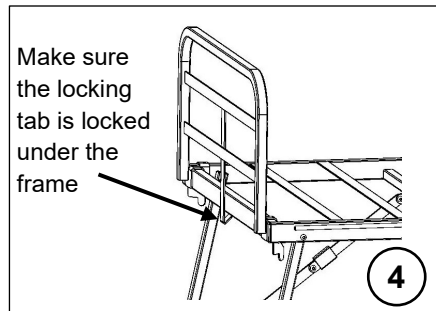
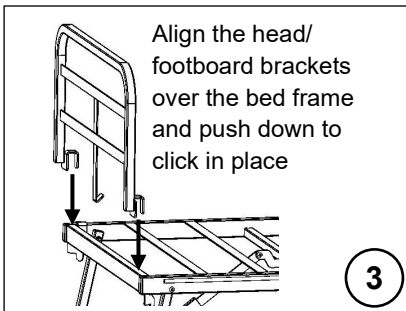
# Assembly

Unpack and check all components. The headboard and footboard use the same side support component.

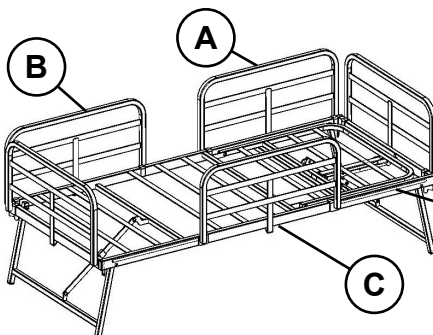
Put mattress platform on its side. Fold out legs and straighten supporting bar. Move locking ring so that supporting bar is locked into position. Return bed to normal position. Check that locking ring still locks the supporting bar from moving.



To fit the headboard and footboard, hold it so the base of the support fits over the edge of the mattress platform. Then push down gently until the side support locks into place.



Fit the side support in a similar manner, hold it so the base of the support fits over the edge of the mattress platform. Then push down gently until the side support locks into place. The 3 possible positions (A, B & C) are illustrated below:

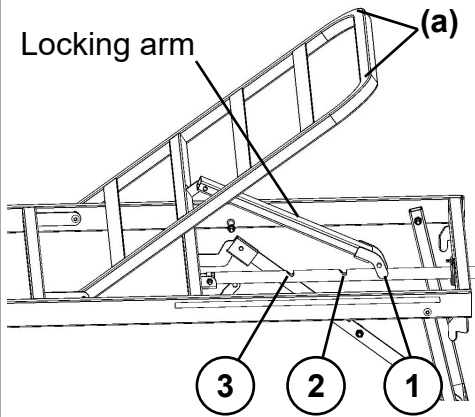


**NOTE: Positions A, B & C apply to both sides of the bed. Shown on either side here for clarity.**

Bars on frame stop side rails being fitted in between positions to avoid entrapment hazards

# Operation

## Adjusting the backrest



### WARNINGS

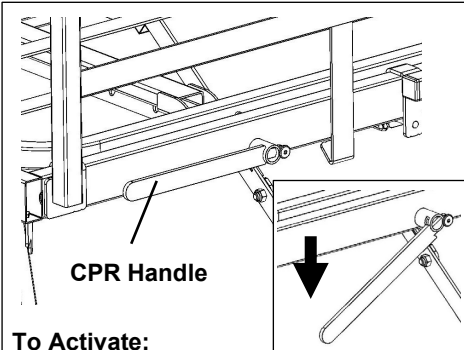
- Always make sure the locking arm is firmly locked into its position.
- When lowering the backrest, take the weight of the patient and slightly lift to reposition the locking arm.

### To use the Backrest:

1. Firmly take hold of the backrest at point (a) on either side of the bed.
2. Lift the backrest until the locking arm locks into the desired position.

1 = 30°, 2 = 45°, 3 = 60°

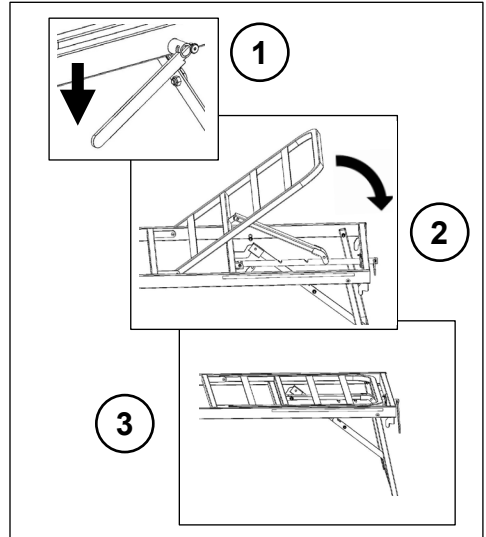
## Using the CPR



### To Activate:

**WARNING - Make sure all limbs are clear of the backrest.**

Push the CPR handle down. This will disengage the backrest locking arm and allow the backrest to drop to flat.



## Accessories

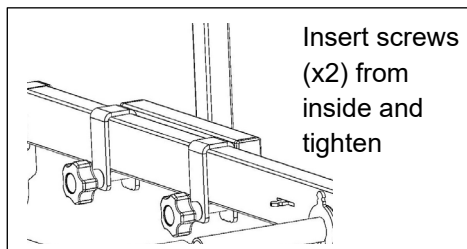
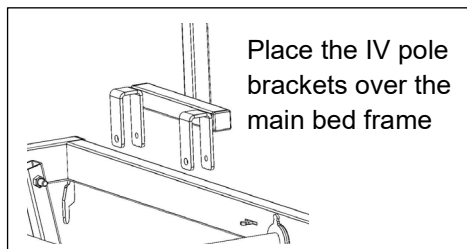
### Siderails (Option: SDR-0-CV1-000)

The siderails come in a set of two and use the same side support component as the head and footboard. They may be fitted to the bed in three positions on each side of the bed. There is a blocking bar to prevent the side support being fitted in the wrong place and creating an entrapment hazard.

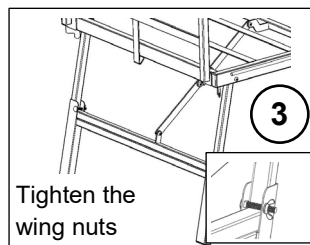
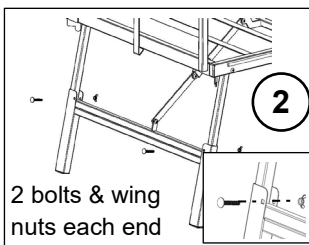
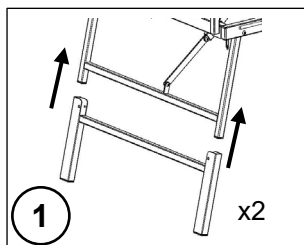
To fit a side support, hold it so the base of the support fits over the edge of the mattress platform. Then push down gently until the side support locks into place.

## IV Pole (Option: IVP-0-CV1-000)

The IV pole should be fitted to the bed frame at the head end of the bed:







## Height Extension (Option: KITHA-0-CV1-000)



## Maintenance, Guarantee & Disposal

Regularly check: side supports are fitted securely; legs are locked in position. The warranty period for the Covid-19 bed is 2 years. In the event of the disposal of the Covid-19 bed, end-of-life parts must be disposed of in accordance with current environmental regulations.

## Specification & Decontamination

Description	Value
Bed frame fits mattress dimensions	900 x 2000 mm
Height	450 mm platform height + 150 mm mattress
Safe working load / <b>Max. patient weight</b>	185 kg / <b>150 kg</b>
Backrest positions	Pre-set positions: 30/45/60°
Cleaning and decontamination	Use hospital-grade disinfection protocols
Symbols:    Refer to Instruction Manual  Physical description of Adult	

## Design Policy and Copyright

® And ™ are trademarks belonging to Accora Ltd unless otherwise stated. As our policy is one of continuous improvement, we reserve the right to modify designs without prior notice.



Accora Limited, Barrington Road, Orwell  
Cambridge SG8 5QP, United Kingdom  
Tel: 01223 206100

E-mail: [info@accora.uk.com](mailto:info@accora.uk.com)  
Website: [www.accora.uk.com](http://www.accora.uk.com)

